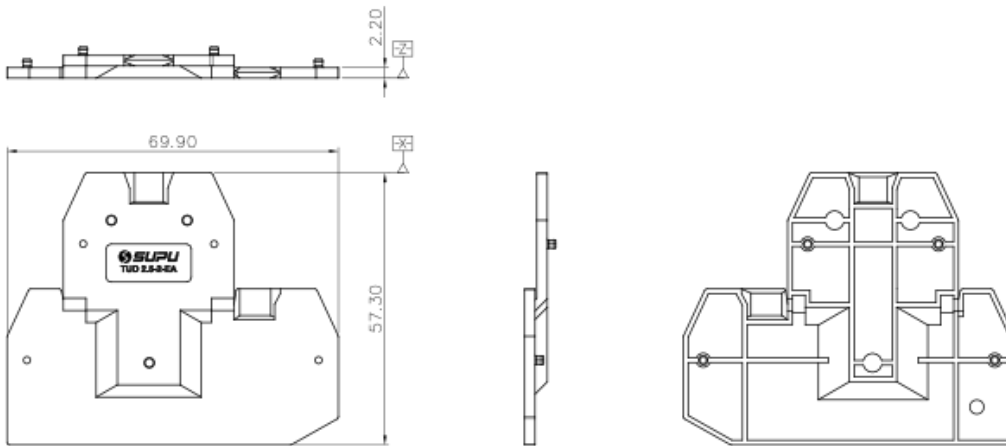


Product Type: Accessories

Product Name: TUD2.5-2-XX-EA

Product Description: TUD2.5-2Cover plate, TUD4-2Cover plate, 2.2mm thickness, Color: Gray

Product Size



Parameters

⌘ SUPU ID	TUD2.5-2-XX-EA
⌘ Pitch	/
⌘ Insulation material	PA66
⌘ Insulation material group	I
⌘ Ambient temperature (operation)	-40°C~105°C

☞ Ambient temperature (assembly)	-5°C~70°C
☞ Ambient temperature (storage)	-25°C~60°C
☞ Permissible humidity (storage/transport)	30%~70%

Commercial data

☞ Order No	TUD2.5-2-XX-EA
------------	----------------

Ningbo SUPU Electronics Co., Ltd.

Address: No. 150, Xinxing 4th Road, High-tech Industrial Development Zone,
Cixi City, Zhejiang Province, China

Zip code: 315303

Switchboard: +86 574-63288158

Fax: +86 574-63288170

E-mail:supucontact@supu.cn

Service Hotline: 400-626-6336



Wechat