

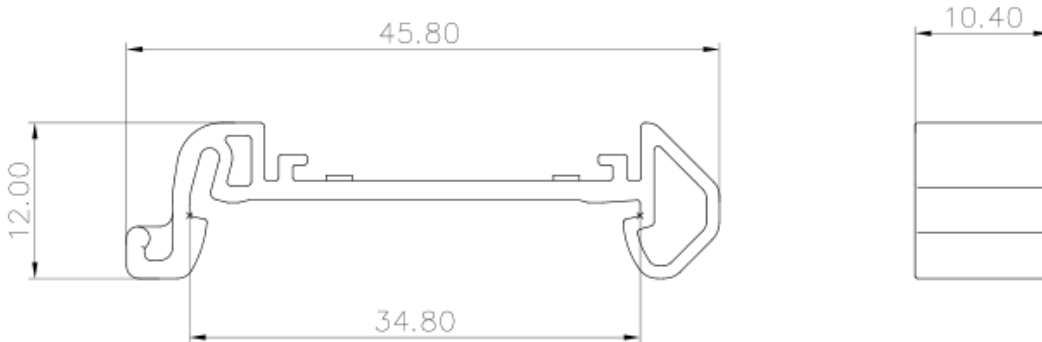
Product Type: Accessories

Product Name: TPA-NS-35-XX

Product Description: Din rail adapter for NS35,gray



Product Size



Parameters

☞ SUPU ID	TPA-NS-35-XX
☞ Pitch	10.4mm
☞ Insulation material	PA66
☞ Insulation material group	I

☞ Ambient temperature (operation)	-40°C~105°C
☞ Ambient temperature (assembly)	-5°C~70°C
☞ Ambient temperature (storage)	-25°C~60°C
☞ Permissible humidity (storage/transport)	30%~70%

## Commercial data

☞ Order No	TPA-NS-35-XX
------------	--------------

### Ningbo SUPU Electronics Co., Ltd.

Address: No. 150, Xinxing 4th Road, High-tech Industrial Development Zone,  
Cixi City, Zhejiang Province, China

Zip code: 315303

Switchboard: +86 574-63288158

Fax: +86 574-63288170

E-mail:supucontact@supu.cn

Service Hotline: 400-626-6336



Wechat