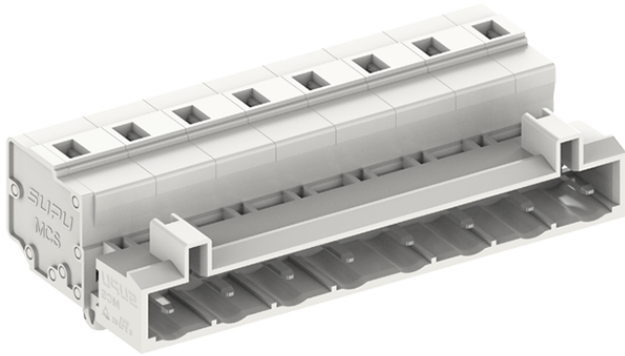


Product Type: Plug-in terminal-socket

Product Name:475906-030

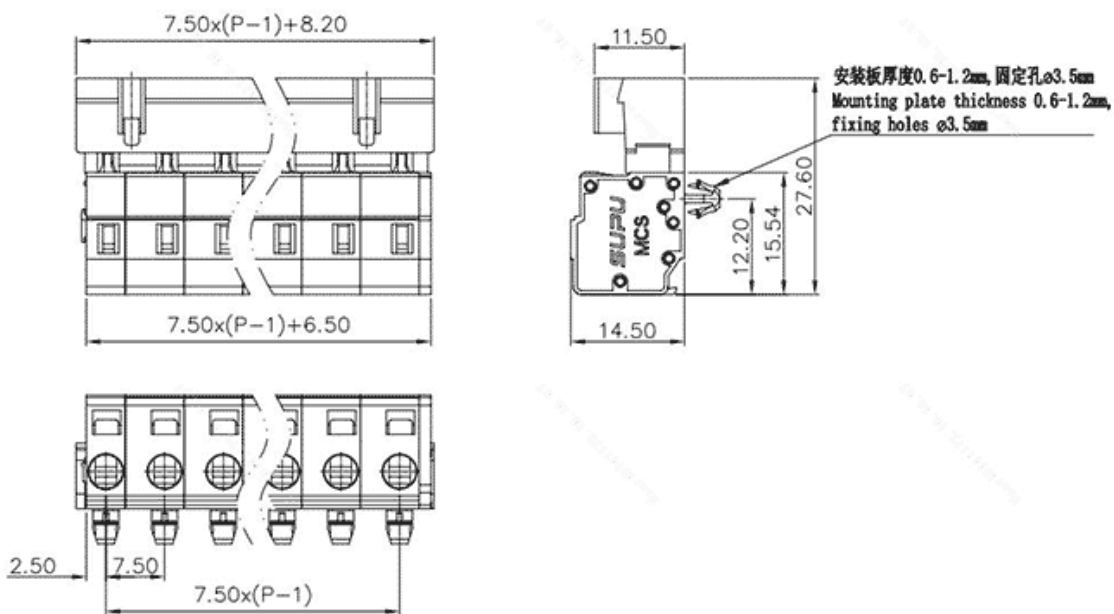


Product Description: Pitch:7.5mm Rated





Voltage : 630V Rated Current:16A Connection

method : Spring cage connection colour : Grey

## Product Size



## Parameters

 SUPU ID	475906-030
 Pitch	7.5
 Number of connections	6
 Connection method	-

☞ Protection Level	IP20
☞ Operating temperature range	-40~+105°C
☞ Insulation material	PA66
☞ Insulation material group	I
☞ Contact material	Copper alloy
☞ Contact plating	Sn,Plated
☞ Color	Grey

## Technical data

☞ IEC Rated Current	630V
☞ IEC Rated Voltage	16A
☞ Overvoltage category	III III II
☞ Degree of pollution	3 2 2
☞ Rated impulse voltage	6.0KV 6.0KV 6.0KV
☞ UL Rated Current	15A 15A -
☞ UL Rated Voltage	300V 300V -
☞ Conductor cross section rigid	0.2-2.5mm <sup>2</sup>
☞ Conductor cross section flexible	0.2-2.5mm <sup>2</sup>
☞ Conductor cross section flexible,with furrule	0.2-2.5mm <sup>2</sup>
☞ Locking screw Specification	-
☞ Locking screw torque	-
☞ Fixed Screw Specification	-
☞ Stripping length	8-9mm
☞ Use group	B/C/D

☞ Order No

475906-030

Ningbo SUPU Electronics Co., Ltd.

Address: No. 150, Xinxing 4th Road, High-tech Industrial Development Zone,  
Cixi City, Zhejiang Province, China

Zip code: 315303

Switchboard: +86 574-63288158

Fax: +86 574-63288170

E-mail:supucontact@supu.cn

Service Hotline: 400-626-6336



Wechat